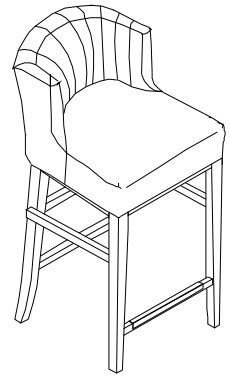


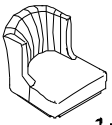



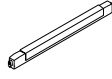
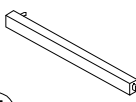
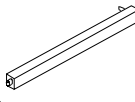





### Warning :

- Be sure to check all packing material carefully for small parts, which may have come loose inside the carton during shipment.
- To prevent possible scratches and damage, this furniture must be assembled on a soft surface such as a blanket or carpet.

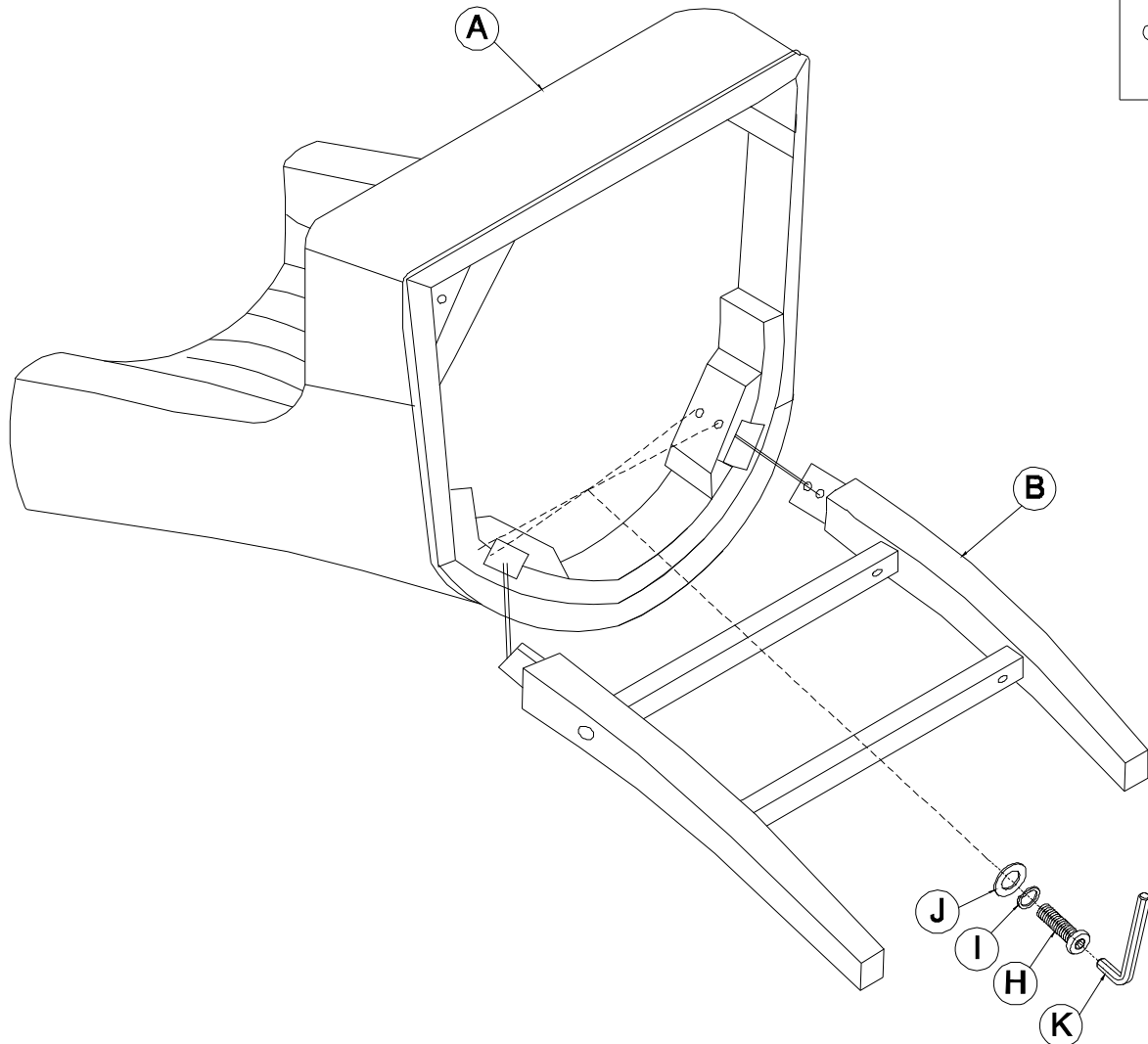


73455  
UPH CURVE-BK CNTR STL 2IN

### Components and Hardware List

<p>Chair Body 1 pc.</p>  <p><b>A</b></p>	<p>Back leg Frame 1 pc.</p>  <p><b>B</b></p>	<p>Front Leg (Left) 1 pc.</p>  <p><b>C</b></p>	<p>Front Leg (Right) 1 pc.</p>  <p><b>D</b></p>	<p>Front Stretcher 1 pc.</p>  <p><b>E</b></p>		
<p>Side Stretcher (Left) 1 pc.</p>  <p><b>F</b></p>	<p>Side Stretcher (Right) 1 pc.</p>  <p><b>G</b></p>	<p>Allen Head Bolt 5/16"-18 x 2" 8 pcs.</p>  <p><b>H</b></p>	<p>Spring Washer 5/16" x 12 x 3mm 8 pcs.</p>  <p><b>I</b></p>	<p>Flat Washer 5/16" x 19 x 2mm 8 pcs.</p>  <p><b>J</b></p>	<p>Allen Key 5mm 1 pc.</p>  <p><b>K</b></p>	<p>Wood Screw #8 x 1-1/2" 6 pcs.</p>  <p><b>L</b></p>

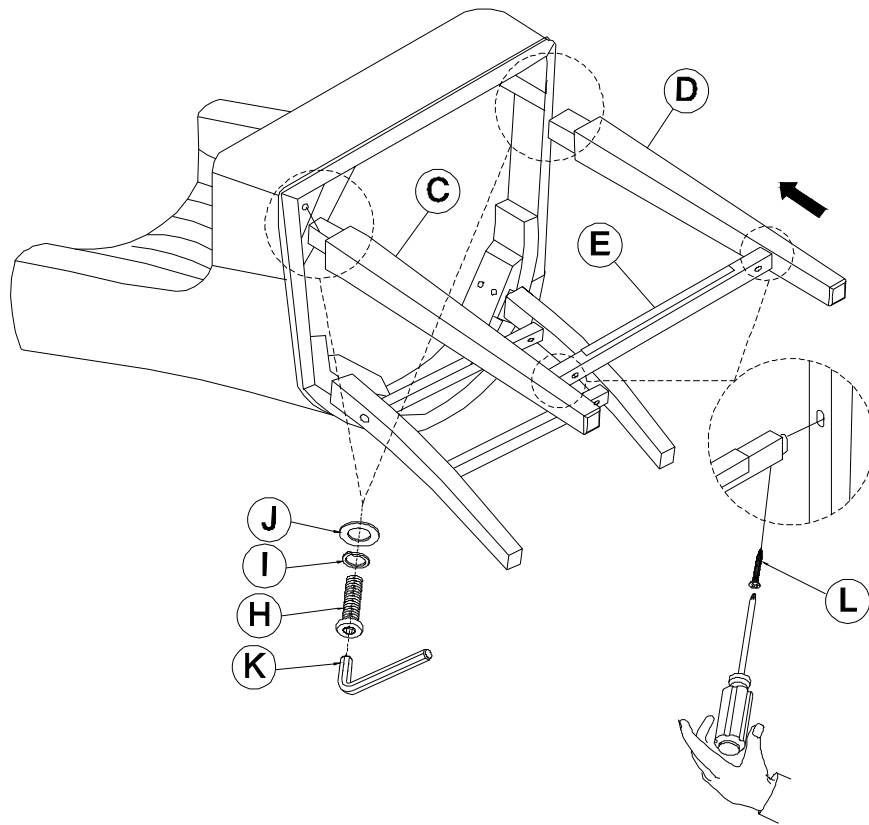
### Step 1: Do not fully tighten the Bolts



Tool Required  
(Not provided)  
Phillips Screwdriver



**Step 2: Do not fully tighten the Bolts**



**STEP 3: Using the Allen Key and Philips Head Screw driver to tighten the Bolts and screws**

